

# LTC-3RDW SpectraSync

LITEISTRY 3" ROUND CYLINDER WITH COLOR TUNING

LITEISTRY™

## FEATURES

- 3" architectural LED downlight and wall wash cylinder delivering 600 - 1000 lm
- 4 beam distributions from 0.4 to 1.1 Spacing Criteria
- Quiet reflector appearance with 50° optical cutoff
- SpectraSync™ Color Tuning technology allows the flexibility to tailor CCT to aesthetic preferences
- Available in Dim To Warm (2200K-3000K) or Tunable White (2700K-5000K or 2700K-6500K), 90+ CRI
- Available in Surface, Wall, Pendant, or Cable/Cord Mount configurations
- Versatile canopy options for recessed and surface-mounted J-box applications
- Standard with 0-10V dimming to 5%



(Select Models)

## RELATED PRODUCTS

Ø 3" LITEISTRY Family

Ø 4" LITEISTRY Family

Ø 6" LITEISTRY Family

## CONTROL TECHNOLOGY

## SPECIFICATIONS

### CONSTRUCTION

- Seamless heavy gauge aluminum cylinder body with a clean appearance
- Available in Surface (S), Wall (W), Pendant (P), or Cable/Cord (CM) mounting types
- Canopy options include Conduit Canopy (CC), Power Canopy (PC), Power Conduit Canopy (PCC), or Recessed Mount Driver (RMD). (See Dimensions section for details)
- For S, P, or CM mounting with PCC canopy options, use 4" octagonal junction box (by others)
- Wall Mount: Die cast aluminum mounting arm allows direct mounting to standard 4" octagonal or square junction box
- Pendant Mount canopy options allow sloped ceiling up to 35° (5° for RMD)
- Select from 4 standard architectural painted finishes, Brushed Aluminum, or specified custom color

### OPTICS

- Visually pleasing 50° cutoff to source and source image
- The light distribution is free of distracting bright spots or pixelation and the perimeter has a smooth transition
- Optical grade silicone lens integral to light engine
- High purity spun aluminum reflector, self-flanged
- Large selection of anodized finishes and colors
- Painted cones and flange options available

### ELECTRICAL

- LED array with 3 SDCM color consistency
- Dim to Warm (2200K-3000K) or Tunable White (2700K-5000K or 2700K-6500K) options available
- 90+ CRI standard
- Long LED life: L70 at >60,000 hrs (TM-21)
- Universal voltage 120V–277V driver
- UL Class 2, inherent short circuit and overload protection, RoHS compliant
- Flicker free 0–10V dimming to 5%

### INSTALLATION

- Light Engine/Trim assembly is mechanically secured and includes a retention cable for ease of installation
- A quick connect is provided for easy maintenance or upgrade
- Recessed Mount Driver (RMD) is accessible from above or below ceiling; assembly mounts with 1/4-20 threaded rod (by others) and requires 6" plenum clearance
- Conduit Canopy options (CC or PCC) allow field selectable conduit entry (up to 4@ 90°) (See Dimensions section)
- Conduit Canopy utilizes a patent pending mounting yoke to secure cylinder to the ceiling surface
- Cable/Cord can be cut in the field to custom length
- Standard and Custom Pendant lengths available (specify when ordering)

### CERTIFICATIONS

- cCSAus certified to UL 1598
- Wall Mount (except CC): Suitable for wet locations
- Pendant Mount (except PCC): Suitable for wet locations under covered ceiling
- Surface, Cable/Cord Mount, all CC and PCC and all Wall Wash: Suitable for damp locations
- This product qualifies as a “designated country construction material” per FAR 52.225-11 Buy American-Construction. Materials under Trade Agreements effective 6/6/2020. See [Buy American Solutions](#).

### WARRANTY

- 5 year warranty
- See [HLI Standard Warranty](#) for additional information

KEY DATA	
Lumen Range	600-1000
Wattage Range	10-18
Efficacy Range (LPW)	52-59*
Reported Life (Hours)	L70 / >60,000
Input Current (mA)	83-150 (120V)

\*Based on Specular, 30K, 90 CRI



# LTC-3RDW SpectraSync

LITEISTRY 3" ROUND CYLINDER WITH COLOR TUNING

DATE: \_\_\_\_\_ LOCATION: \_\_\_\_\_

TYPE: \_\_\_\_\_ PROJECT: \_\_\_\_\_

CATALOG #: \_\_\_\_\_

## ORDERING GUIDE

**Example:** LTC-3RD-CM15WHPCC-15L2230TD9WD-DMTW-SS-WH

CATALOG #

LTC-3RD		Cylinder Mounting		Canopy Option		Lumen Output		CCT	
Aperture/Shape/Function									
<b>LTC-3RD</b>	3" Round Downlight Cylinder	<b>S</b>	Surface	<i>Refer to chart on Page 3 for available canopy options based on driver/controls selection</i>		<b>06L</b>	600 Lumens <sup>3</sup>	<b>2230TD</b>	2200K-3000K SpectraSync™ Dim to Warm
<b>LTC-3RW</b>	3" Round Wall Wash Cylinder	<b>W</b>	Wall			<b>10L</b>	1000 Lumens <sup>3</sup>	<b>2750T</b>	2700K-5000K SpectraSync™ Tunable White
		<b>P</b>	Pendant (Standard) Nominal 18" length from cylinder top to ceiling <sup>7</sup>	<i>Standard Canopy<sup>3,6</sup></i>				<b>2765T</b>	2700K-6500K SpectraSync™ Tunable White
		<b>P_</b>	Pendant (Custom) Specify length from cylinder top to ceiling in 1 inch increments from 15 to 60 <sup>7</sup>			<b>CC</b>	Conduit Canopy <sup>3,6</sup>		
				<b>PC</b>	Power Canopy <sup>3,6</sup>				
				<b>PCC</b>	Power Conduit Canopy <sup>3,6</sup>				
				<b>RMD</b>	Recessed Mount Driver <sup>3,6</sup>				
		<b>Cable/Cord<sup>5</sup></b>							
		<b>CM</b>	6ft Clear Cord						
		<b>CMBL</b>	6ft Black Cord						
		<b>CMWH</b>	6ft White Cord						
		<b>CM15</b>	15ft Clear Cord						
		<b>CM15BL</b>	15ft Black Cord						
		<b>CM15WH</b>	15ft White Cord						

CRI		Distribution		Driver Options		Voltage		Reflector Finish		Reflector Color	
<b>9</b>	90+ CRI	<b>NR</b>	Narrow (0.4 SC/29°)	<b>DMTW</b>	SpectraSync™ Dim to Warm, 0-10V Dimming to 5% <sup>1,3</sup>	<i>Standard 120-277V</i>		<i>Finish not applicable with painted reflectors (WC or BC)</i>		<i>Standard Clear</i>	
		<b>MD</b>	Medium (0.7 SC/53°)	<b>DMT</b>	SpectraSync™ Tunable White, 0-10V Dimming to 5% <sup>2,3</sup>						
		<b>WD</b>	Wide (1.0 SC/59°)					<b>S</b>	Specular	<b>CG</b>	Champagne Gold
		<b>XW</b>	Extra Wide (1.1 SC/66°)					<b>SS</b>	Semi-Specular	<b>BL</b>	Black
		<b>WW</b>	Wall Wash					<b>MFC</b>	American Matte™	<b>LW</b>	Light Wheat
								<b>VS</b>	Softglow®	<b>PW</b>	Pewter
								<b>VSS</b>	SoftSheen™	<b>WC</b>	Painted White Cone and Flange
										<b>BC</b>	Painted Black Cone and Flange

Flange Color Options		Exterior Cylinder Color	
<i>Standard matches reflector color</i>		<b>BA</b>	Brushed Aluminum <sup>8</sup>
<b>WT</b>	White Flange <sup>4</sup>	<b>BZ</b>	Bronze
<b>BT</b>	Black Flange <sup>4</sup>	<b>BL</b>	Matte Black
		<b>WH</b>	Matte White
		<b>SVR</b>	Silver
		<b>CC_</b>	Custom Color (Specify RAL#, Example: CCRAL1073)
		<b>TCC_</b>	True Custom Color (Specify description, Example: TCC BABY BLUE, Paint chip must be provided to match)

**Notes:**

- 1 Must select 2230TD with DMTW driver.
- 2 Must select either 2750T or 2765T with DMT driver.
- 3 For lumen outputs/configurations available, see chart on page 3.
- 4 WT not needed for WC, BT not needed for BC.
- 5 Cable/Cord can be cut in the field to custom length.
- 6 See Dimensions section for canopy configuration details.
- 7 Stem length varies by canopy configuration. See Dimensions section for details.
- 8 Canopy color for Brushed Aluminum is Black.

# LTC-3RDW SpectraSync

LITEISTRY 3" ROUND CYLINDER WITH COLOR TUNING

## DRIVER/CONTROL OPTION AVAILABILITY

Driver and Control options listed below are available in the configurations and lumen packages as shown.

Driver/Control Option		Cylinder Mounting <sup>1</sup>	Canopy Options <sup>2</sup>	06L	10L
DMT	0-10V 5%	W	Standard/CC	●	●
		P/S/CM	PC/PCC/RMD <sup>4</sup>	●	●
DMTW	0-10V 5%	W	Standard/CC	●	●
		P/S/CM	PC/PCC/RMD	●	●

- 1 See Cylinder Mounting chart.
- 2 See Canopy Options chart and Dimensions section for details.
- 3 RMD is Non-IC rated unless noted.
- 4 IC Rated.

Cylinder Mounting	
S	Surface Mount
W	Wall Mount
P	Pendant Mount
CM	Cable/Cord Mount

Canopy Options	
(Blank)	Standard Canopy
CC	Conduit Canopy
PC	Power Canopy
PCC	Power Conduit Canopy
RMD	Recessed Mount Driver <sup>3</sup>

## CONTROLS

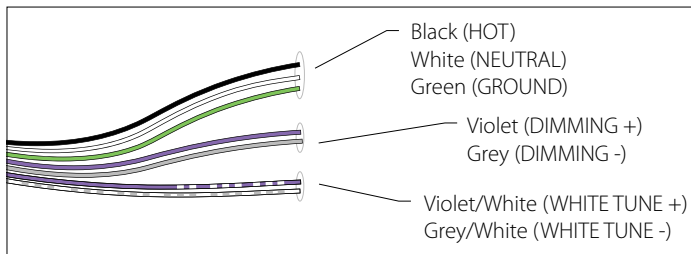
### SpectraSync™ Color Tuning Technology:

Control your space based on the needs of the application, specific activities throughout the day and preferences of the occupants with distinct SpectraSync™ Color Tuning Technologies.

SPECTRASYNCH™ COLOR TUNING TECHNOLOGY		
Mode	Kelvin Range	Description
Dim to Warm	2200K-3000K	Mimics the familiar warming effect that occurs with traditional incandescent sources as they are dimmed
Tunable White	2700K-5000K 2700K-6500K	Offers users the ability to tailor CCT to their personal preference, enhancing task visibility, material and colors or the aesthetics of the space
Scheduled White	2700K-5000K 2700K-6500K	Mimics the rhythm of natural light or follows an alternative user-defined schedule throughout the day, enhancing an occupant's mood and well-being

### SpectraSync Tunable White

Available in two options: 2750T (2700K–5000K) or 2765T (2700K–6500K). Requires two 0–10V controllers, one for intensity and one for CCT. Minimum 5% dimming.

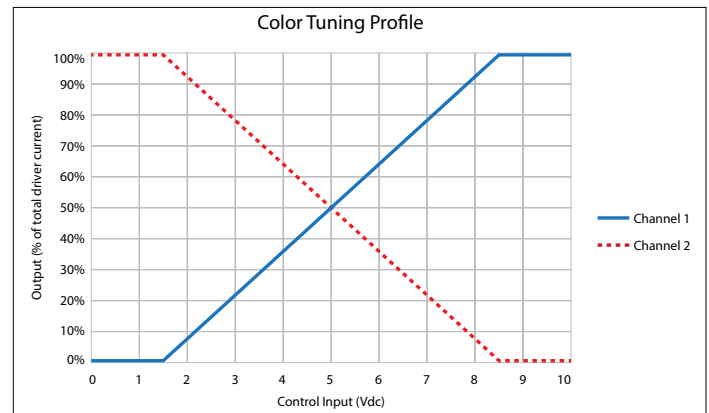


SpectraSync Tunable White luminaires are provided with two 0–10V circuits. The violet and grey circuit is for wiring to any qualified 0–10V controller for dimming. The violet/white and grey/white circuit is for wiring to any qualified 0–10V controller for Tunable White CCT control.

### Controller Manufacturer Data

SpectraSync Tunable White was designed to be used with sinking style dimmers (provided by others) and is compatible with:

- Hubbell Control Solutions (HCS): NX Distributed Intelligence™ Room Controllers (NXRC) and In-fixture Controllers (NXFM)
- Lutron: DVTV, DVSTV, and NFTV dimmers
- Wattstopper: ADF120277 and CD4BL (Titan) dimmers



To enable scheduling and for use with NX wall control preset stations please refer to Hubbell Control Solutions NX SpectraSync technical sheet.



# LTC-3RDW SpectraSync

LITEISTRY 3" ROUND CYLINDER WITH COLOR TUNING

DATE: \_\_\_\_\_ LOCATION: \_\_\_\_\_

TYPE: \_\_\_\_\_ PROJECT: \_\_\_\_\_

CATALOG #: \_\_\_\_\_

## PERFORMANCE DATA TABLE

Performance data provided below is for 3000K, 90 CRI with Specular Clear reflector finish/color

Lumen Package	Nominal Lumens	Distribution	Delivered Lumens	Watts	LPW
06L	600	Narrow	666	10.0	67
		Medium	611	10.0	61
		Wide	594	10.0	59
		Extra Wide	590	10.0	59
		Open Single Wall Wash	550	10.0	55
10L	1000	Narrow	1072	18.0	60
		Medium	984	18.0	55
		Wide	956	18.0	53
		Extra Wide	949	18.0	53
		Open Single Wall Wash	886	18.0	49

# LTC-3RDW SpectraSync

LITEISTRY 3" ROUND CYLINDER WITH COLOR TUNING

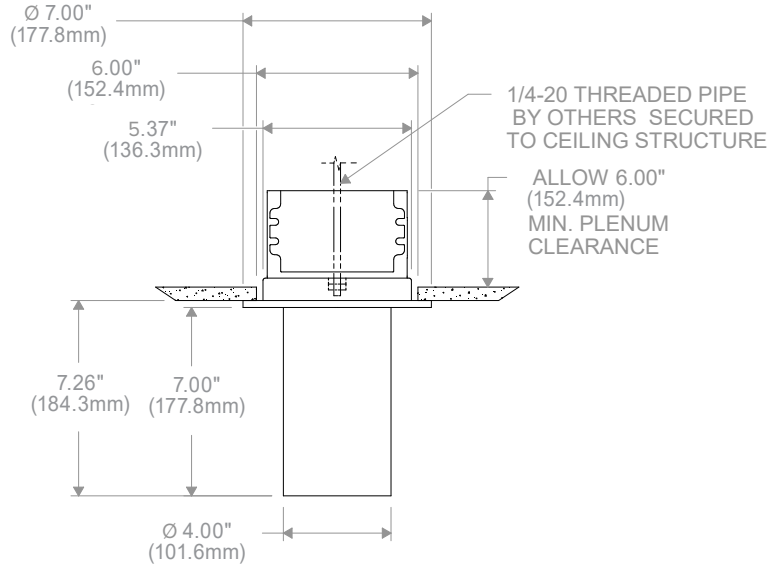
DATE: \_\_\_\_\_ LOCATION: \_\_\_\_\_

TYPE: \_\_\_\_\_ PROJECT: \_\_\_\_\_

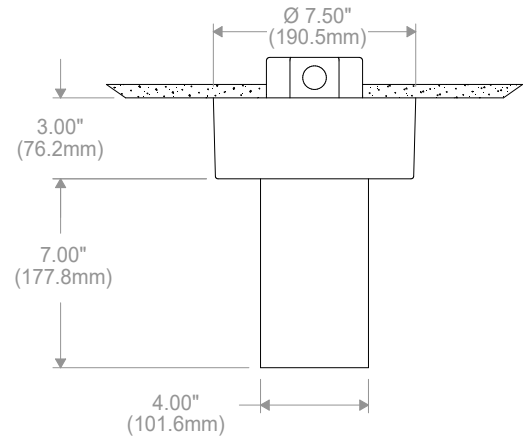
CATALOG #: \_\_\_\_\_

## DIMENSIONS

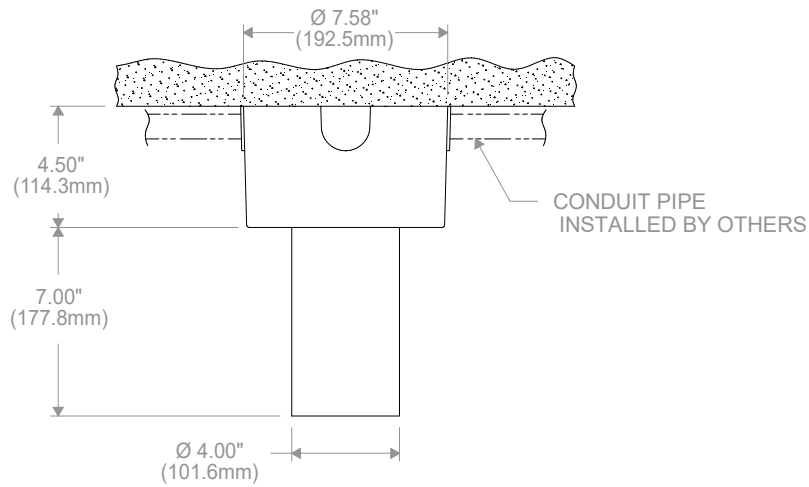
### SURFACE (S)



**Surface Recessed Mount Driver SRMD**



**Surface Power Canopy SPC**



**Surface Power Conduit Canopy SPCC**

# LTC-3RDW SpectraSync

LITEISTRY 3" ROUND CYLINDER WITH COLOR TUNING

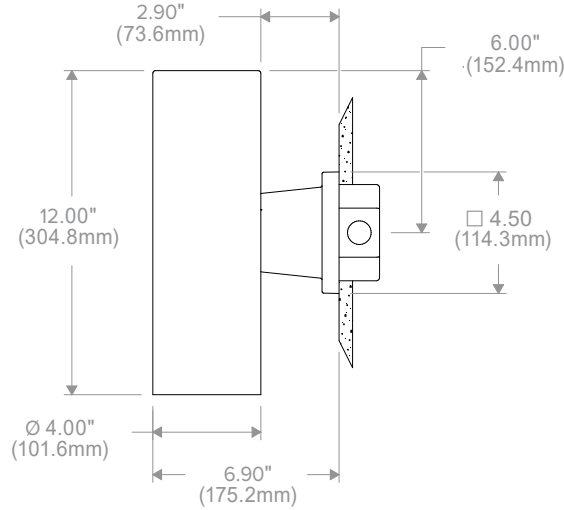
DATE: \_\_\_\_\_ LOCATION: \_\_\_\_\_

TYPE: \_\_\_\_\_ PROJECT: \_\_\_\_\_

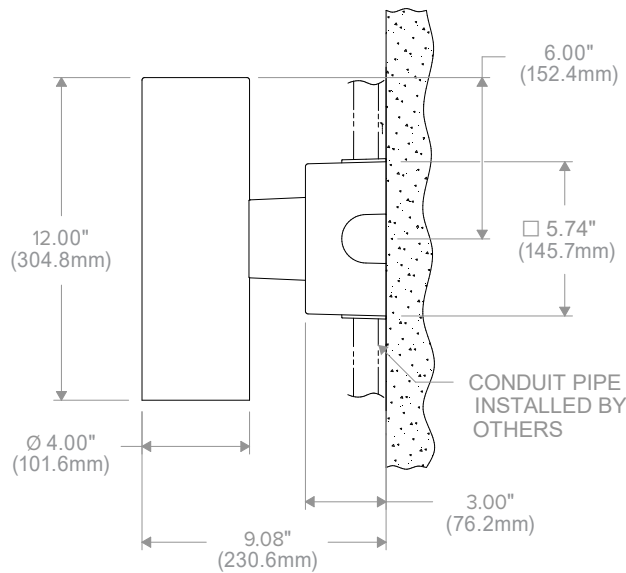
CATALOG #: \_\_\_\_\_

## DIMENSIONS

### WALL (W)



**Wall  
Standard Canopy  
W**



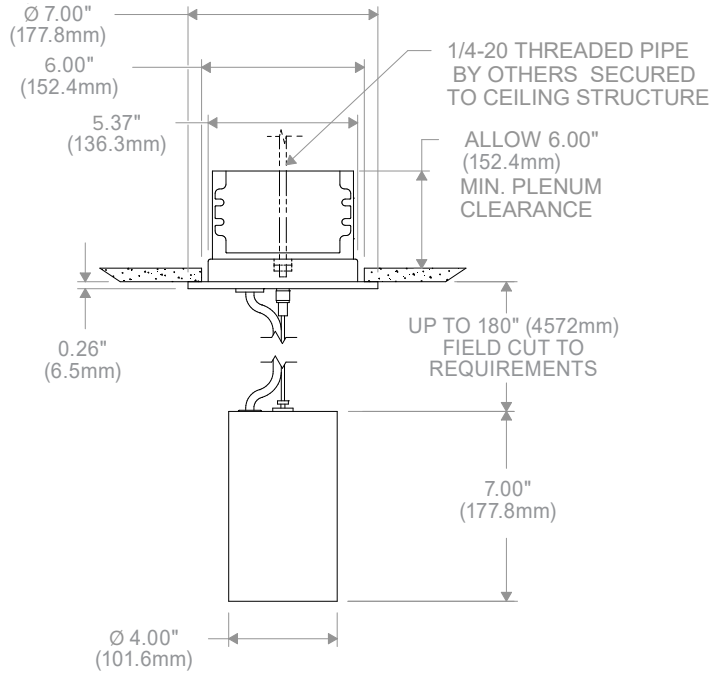
**Wall  
Conduit Canopy  
WCC**

# LTC-3RDW SpectraSync

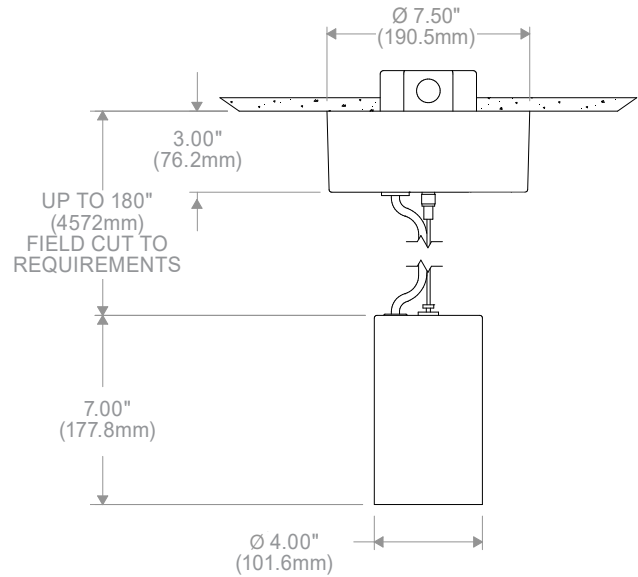
LITEISTRY 3" ROUND CYLINDER WITH COLOR TUNING

## DIMENSIONS

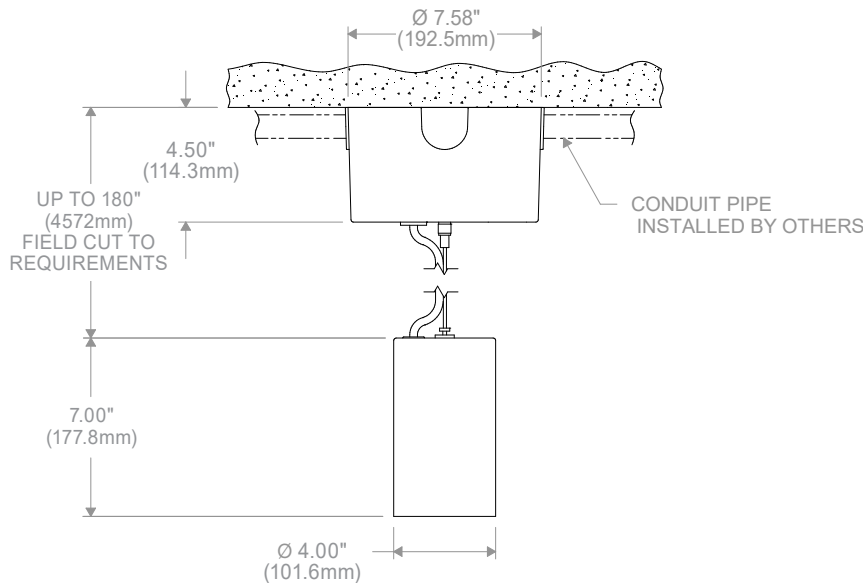
### CABLE/CORD (CM)



**Cable/Cord  
Recessed Mount Driver  
CMRMD**



**Cable/Cord  
Power Canopy  
CMPC**



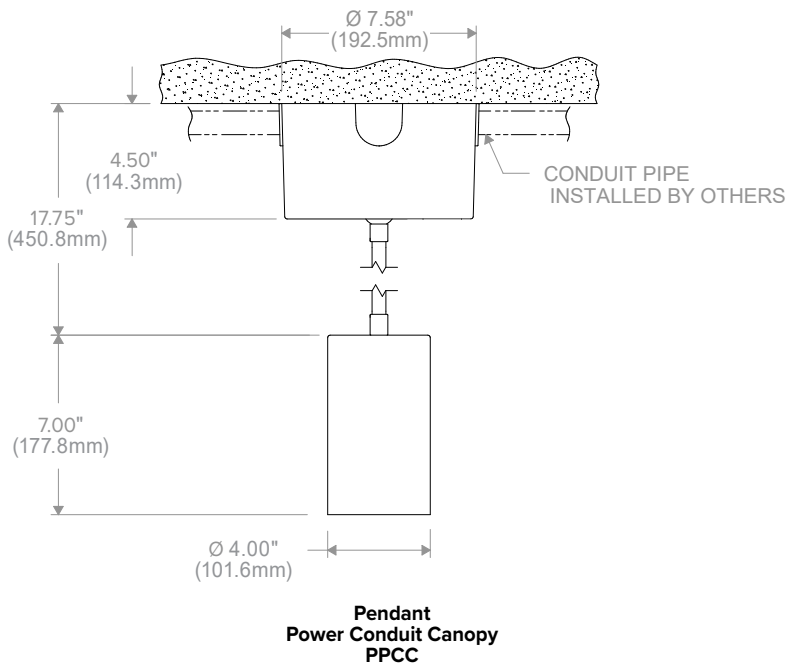
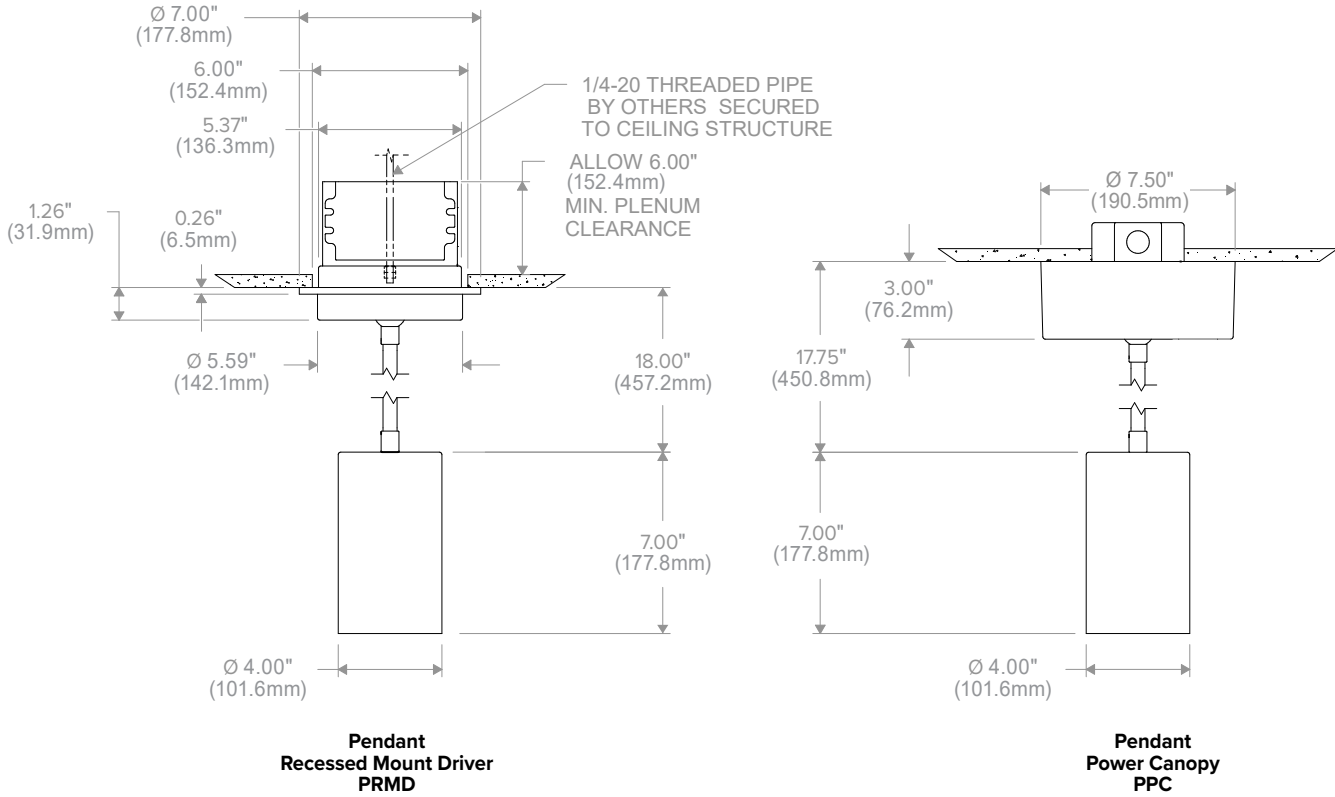
**Cable/Cord  
Power Conduit Canopy  
CMPPC**

# LTC-3RDW SpectraSync

LITEISTRY 3" ROUND CYLINDER WITH COLOR TUNING

## DIMENSIONS

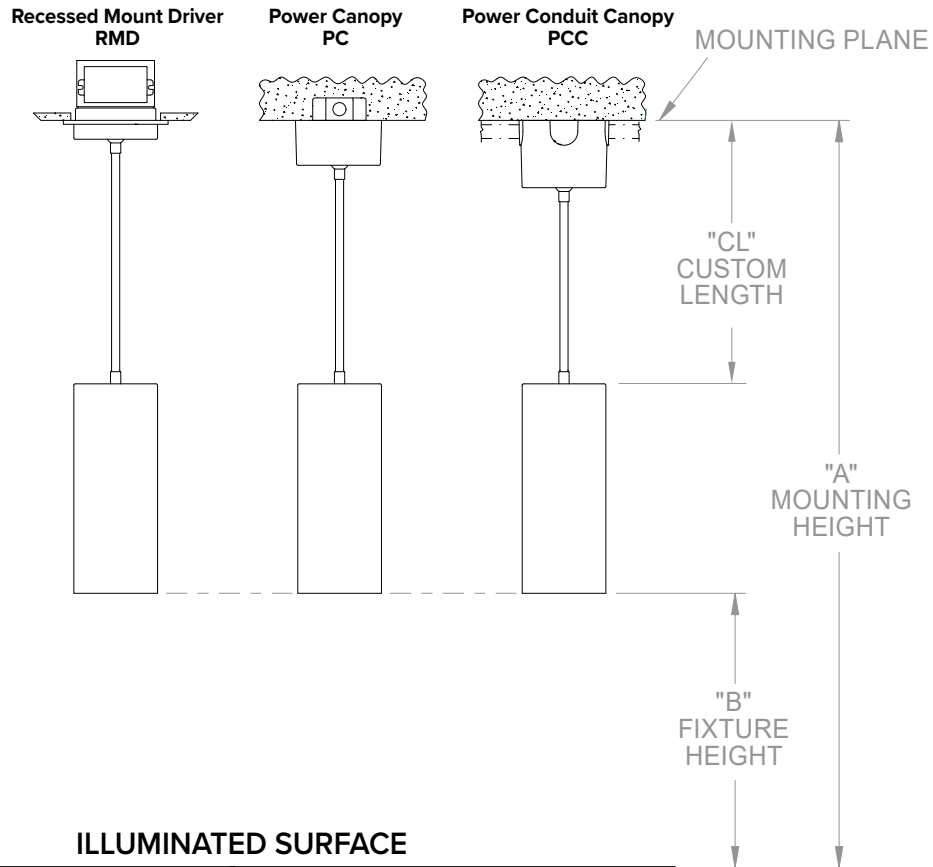
### PENDANT (P)





**DIMENSIONS**

**PENDANT CUSTOM LENGTH**



Custom Length (CL) = Mounting Height (A) - Fixture Height (B) - 7" Cylinder

Ordering Example:  
 A (120") - B (72") - 7" = 41" Custom Length  
 LTC-3RD-P41

# LTC-3RDW SpectraSync

LITEISTRY 3" ROUND CYLINDER WITH COLOR TUNING

DATE: \_\_\_\_\_ LOCATION: \_\_\_\_\_

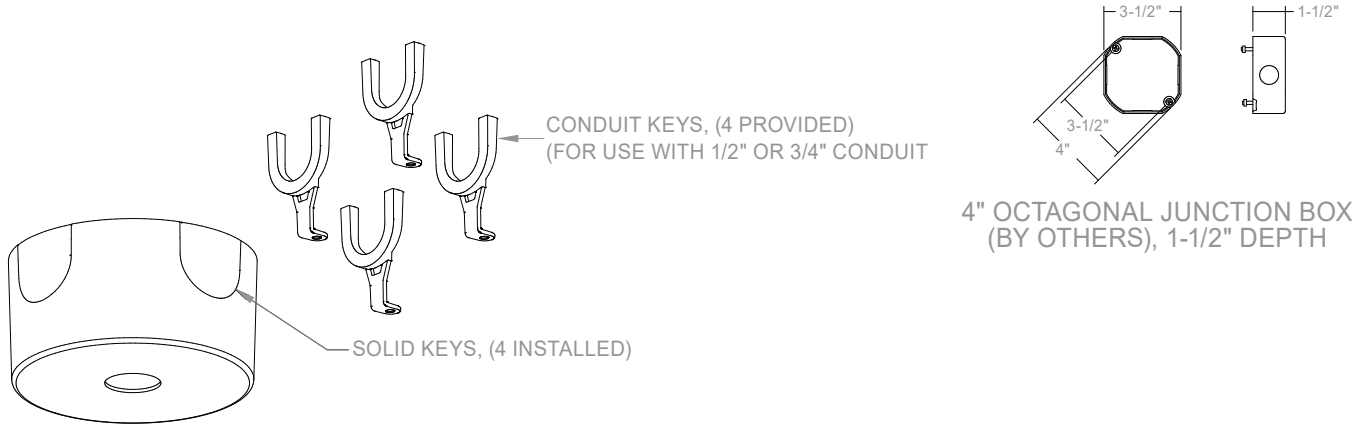
TYPE: \_\_\_\_\_ PROJECT: \_\_\_\_\_

CATALOG #: \_\_\_\_\_

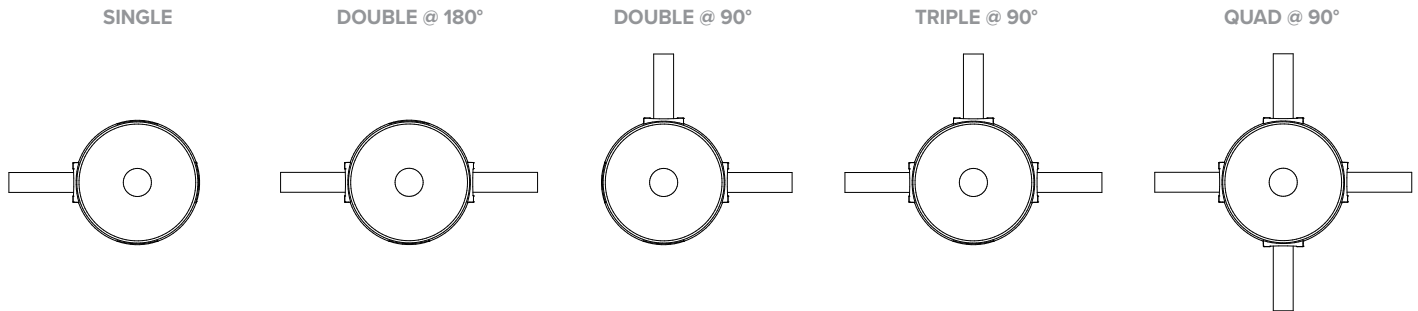
## DIMENSIONS

### CONDUIT CANOPY DETAILS

CC and PCC Conduit Canopy options come standard with (4) Solid Keys installed and (4) Conduit Keys provided.  
Accommodates a 4" octagonal junction box with 1-1/2" depth (by others).



### CONDUIT MOUNTING EXAMPLES - FIELD INTERCHANGEABLE



# LTC-3RDW SpectraSync

LITEISTRY 3" ROUND CYLINDER WITH COLOR TUNING

## PHOTOMETRY

### LTC-3RD-P-10L2765T9NR-DMT-S-BL

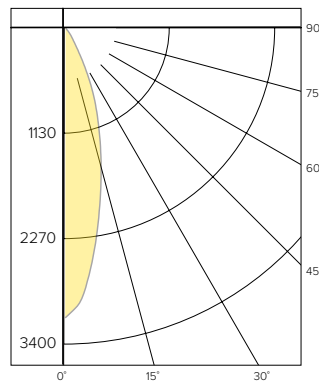
#### LUMINAIRE DATA

Test No.	R19.01975-01
Description	1000 lm, Narrow, 3000K, 90 CRI
Delivered Lumens	1088
Watts	18.0W
Efficacy	60.0
Mounting	Pendant
Spacing Criterion	0.5
Beam Angle FWHM	29

#### ZONAL LUMEN SUMMARY

Zone	Lumens	% Luminaire
0-40	1070	98.4
0-60	1087	99.9
0-90	1088	100.0
0-180	1088	100.0

#### POLAR GRAPH



#### CANDELA DISTRIBUTION

Degree	Candela
0	3023
5	2749
15	1567
25	680
35	118
45	16
55	2
65	1
75	0
85	0
90	0

#### LUMINANCE DATA\*

Vertical Angle	Average
45°	5277
55°	651
65°	442
75°	0
85°	0

\*Candela/Square Meter

### LTC-3RD-P-10L2765T9MD-DMT-S-BL

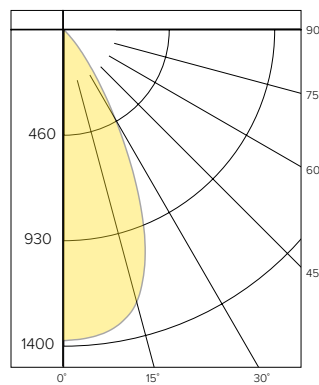
#### LUMINAIRE DATA

Test No.	R19.01975-01
Description	1000 lm, Medium, 3000K, 90 CRI
Delivered Lumens	998
Watts	18.0W
Efficacy	55.0
Mounting	Pendant
Spacing Criterion	0.8
Beam Angle FWHM	53

#### ZONAL LUMEN SUMMARY

Zone	Lumens	% Luminaire
0-40	971	97.3
0-60	997	99.9
0-90	998	100.0
0-180	998	100.0

#### POLAR GRAPH



#### CANDELA DISTRIBUTION

Degree	Candela
0	1377
5	1368
15	1252
25	765
35	232
45	24
55	2
65	1
75	0
85	0
90	0

#### LUMINANCE DATA\*

Vertical Angle	Average
45°	7916
55°	651
65°	442
75°	0
85°	0

\*Candela/Square Meter

### LTC-3RD-P-10L2765T9WD-DMT-S-BL

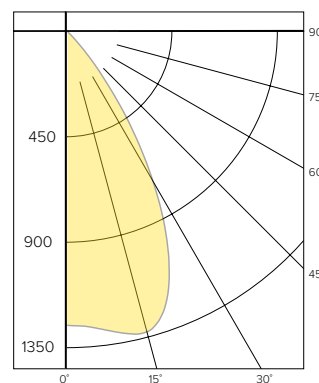
#### LUMINAIRE DATA

Test No.	R19.01974-01
Description	1000 lm, Wide, 3000K, 90 CRI
Delivered Lumens	970
Watts	18.0W
Efficacy	54.0
Mounting	Pendant
Spacing Criterion	0.9
Beam Angle FWHM	59

#### ZONAL LUMEN SUMMARY

Zone	Lumens	% Luminaire
0-40	933	96.3
0-60	969	99.9
0-90	970	100.0
0-180	970	100.0

#### POLAR GRAPH



#### CANDELA DISTRIBUTION

Degree	Candela
0	996
5	1005
15	1024
25	782
35	319
45	31
55	2
65	1
75	0
85	0
90	0

#### LUMINANCE DATA\*

Vertical Angle	Average
45°	10291
55°	976
65°	442
75°	0
85°	0

\*Candela/Square Meter

# LTC-3RDW SpectraSync

LITEISTRY 3" ROUND CYLINDER WITH COLOR TUNING

## PHOTOMETRY CONTINUED

### LTC-3RD-P-10L2765T9XW-DMT-S-BL

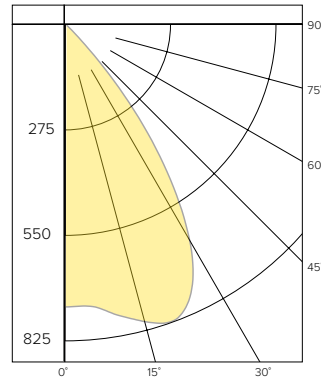
#### LUMINAIRE DATA

Test No.	R19.01973-01
Description	1000 lm, Extra Wide, 3000K, 90 CRI
Delivered Lumens	963
Watts	18.0W
Efficacy	53.0
Mounting	Pendant
Spacing Criterion	1.2
Beam Angle FWHM	66

#### ZONAL LUMEN SUMMARY

Zone	Lumens	% Luminaire
0-40	914	94.9
0-60	962	99.9
0-90	963	100.0
0-180	963	100.0

#### POLAR GRAPH



#### CANDELA DISTRIBUTION

Degree	Candela
0	766
5	768
15	813
25	768
35	433
45	34
55	2
65	1
75	0
85	0
90	0

#### LUMINANCE DATA\*

Vertical Angle	Average
45°	11346
55°	976
65°	442
75°	0
85°	0

\*Candela/Square Meter

# LTC-3RDW SpectraSync

LITEISTRY 3" ROUND CYLINDER WITH COLOR TUNING

DATE: \_\_\_\_\_ LOCATION: \_\_\_\_\_

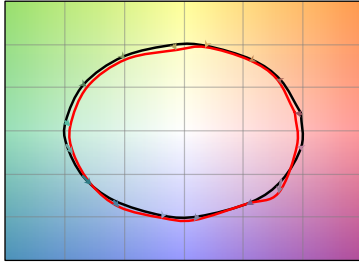
TYPE: \_\_\_\_\_ PROJECT: \_\_\_\_\_

CATALOG #: \_\_\_\_\_

## TM-30 DATA

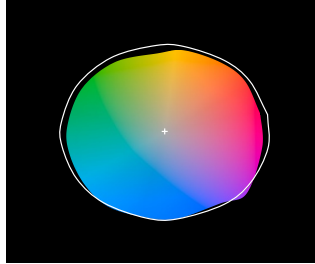
### SPECTRASYNC™ TUNABLE WHITE (2765T)

**COLOR VECTOR GRAPHIC**  
2700K, 90+ CRI

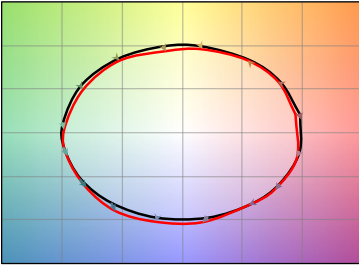


— Reference Illuminant — Test Source

**COLOR DISTORTION GRAPHIC**  
2700K, 90+ CRI

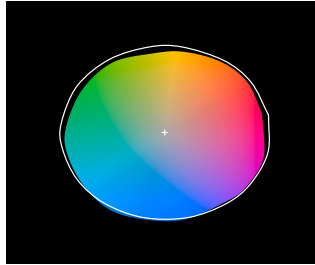


**COLOR VECTOR GRAPHIC**  
4600K, 90+ CRI

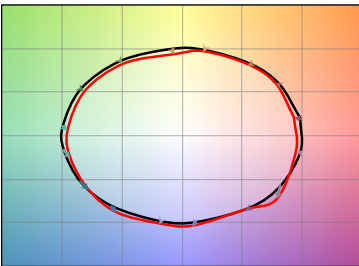


— Reference Illuminant — Test Source

**COLOR DISTORTION GRAPHIC**  
4600K, 90+ CRI



**COLOR VECTOR GRAPHIC**  
6500K, 90+ CRI



— Reference Illuminant — Test Source

**COLOR DISTORTION GRAPHIC**  
6500K, 90+ CRI



TEST RESULTS - TUNABLE WHITE @ 1000 LUMENS (NOMINAL)			
Value	2700K	4600K	6500K
Luminous Flux (lm)	846	941	982
Wattage (W)	17.0	16.8	16.9
Efficacy (lm/W)	50	56	58
R <sub>f</sub>	88	89	88
R <sub>g</sub>	97	98	97
CCT (K)	2809	4597	6326
D <sub>uv</sub>	-0.0018	-0.0052	0.0017
x	0.4481	0.3558	0.3163
y	0.4035	0.3502	0.33
CIE R <sub>a</sub>	91	95	94
CIE R <sub>g</sub>	48	83	73

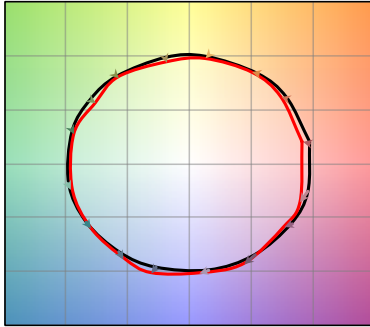
# LTC-3RDW SpectraSync

LITEISTRY 3" ROUND CYLINDER WITH COLOR TUNING

## TM-30 DATA CONTINUED

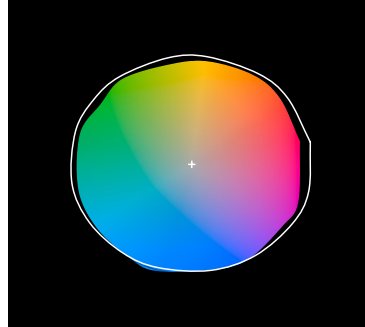
### SPECTRASYNCTM DIM TO WARM (2230TD)

**COLOR VECTOR GRAPHIC**  
3000K, 90+ CRI @ 100%

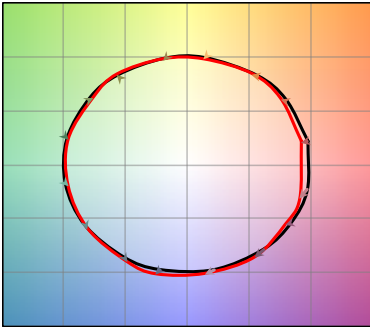


— Reference Illuminant — Test Source

**COLOR DISTORTION GRAPHIC**  
3000K, 90+ CRI @ 100%

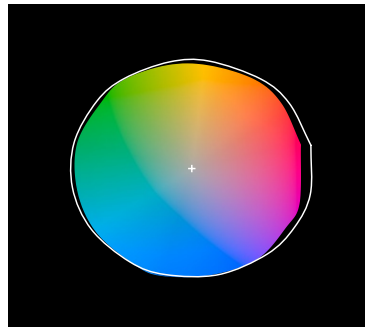


**COLOR VECTOR GRAPHIC**  
2600K, 90 CRI @ 50% DIM

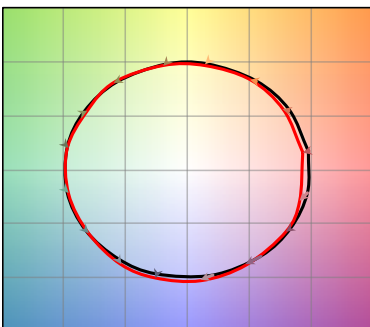


— Reference Illuminant — Test Source

**COLOR DISTORTION GRAPHIC**  
2600K, 90 CRI @ 50% DIM

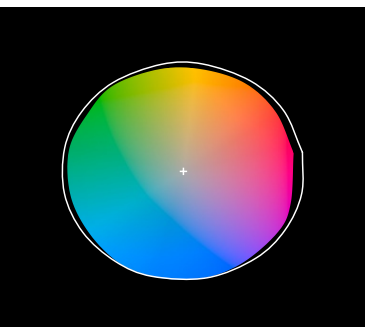


**COLOR VECTOR GRAPHIC**  
2200K, 90 CRI @ 5% DIM



— Reference Illuminant — Test Source

**COLOR DISTORTION GRAPHIC**  
2200K, 90 CRI @ 5% DIM



TEST RESULTS - DIM TO WARM @ 3 DIMMING LEVELS			
Value	100%	50% Dim	5% Dim
Luminous Flux (lm)	945	507	34
Wattage (W)	16.94	9.69	2.43
Efficacy (lm/W)	56	52	14
R <sub>f</sub>	90	92	92
R <sub>g</sub>	97	99	98
CCT (K)	3136	2650	2204
D <sub>uv</sub>	-0.0016	-0.0016	-0.0005
x	0.4254	0.461	0.5063
y	0.3965	0.4069	0.4168
CIE R <sub>a</sub>	92	93	92
CIE R <sub>g</sub>	52	60	57



# LTC-3RDW SpectraSync

LITEISTRY 3" ROUND CYLINDER WITH COLOR TUNING

DATE: \_\_\_\_\_ LOCATION: \_\_\_\_\_

TYPE: \_\_\_\_\_ PROJECT: \_\_\_\_\_

CATALOG #: \_\_\_\_\_

## ELECTRICAL DATA

DRIVER DATA	
Input Voltage	120-277 V
Input Frequency	50/60 Hz
Power Factor	≥0.90
THD	<20%
EMI Filtering (FCC 47 CFR Part 15)	Class A

WATTAGE DATA		
Lumen Output	Nominal Lumens	WATTAGE
06L	600	10
10L	1000	18

\* Wattage may vary based on configuration and options selected

## ADDITIONAL INFORMATION

### Central Inverters

For full fixture output in back-up mode, we recommend you visit [www.dual-lite.com](http://www.dual-lite.com) for your Central Lighting Inverter options. Please contact your local Hubbell representative for any assistance with proper sizing and loading of your inverter selection. Central lighting inverters must be ordered separately.

LiteGear: [www.dual-lite.com/products/litegear\\_lg\\_series](http://www.dual-lite.com/products/litegear_lg_series)

LPS Series: [www.dual-lite.com/products/lps](http://www.dual-lite.com/products/lps)